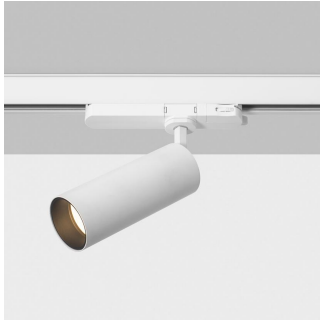


**TR3092**

**20W AC220V 4 Wires Adjustable LED Track Light**

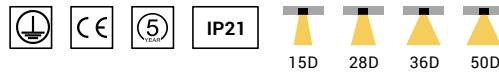


**Description**

Tracklight for indoor use .  
Adjustable design

**Finish**  
Black/White

**Material**  
Aluminium;



**TECHNICAL CHARACTERISTICS**

**Light source**

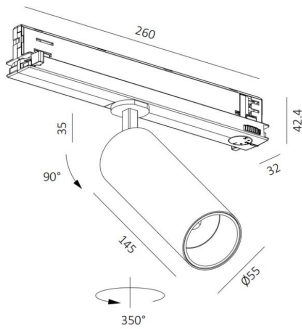
Light source: Citizen 1204  
Output (W): 20W AC220-240V  
Total power consumption (W): 20W  
Color temperature: 2700K/3000K/4000K  
CRI: 90  
Photobiological risk: RG1  
Real Lumen: 1933LM  
Qty Leds: 1  
Lm/Real W: 91  
Life Time: 50.000h L90B20  
MacAdam steps: 3  
UGR: <19

**GEAR**

This product is supplied with  
Osram Intrack Adaptor

**Luminaire**

crossing: No  
Warranty: 5 Years



**LIGHT DISTRIBUTION for 3500K  
Medium 36°**

h(m)	E(lx)	Ø(m)
1	4194	Ø0.74
2	1049	Ø1.49
3	466.0	Ø2.23
4	262.1	Ø2.97
5	167.8	Ø3.72

The photograph may not match the reference exactly. Please read the product description to identify the finish.